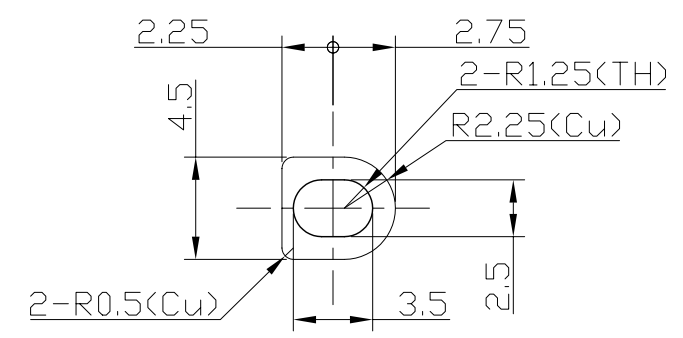
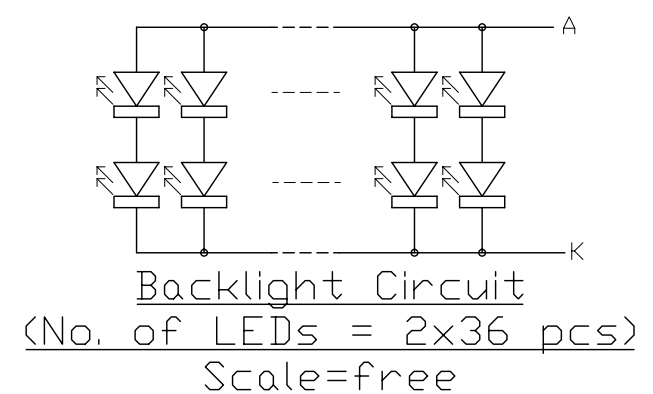
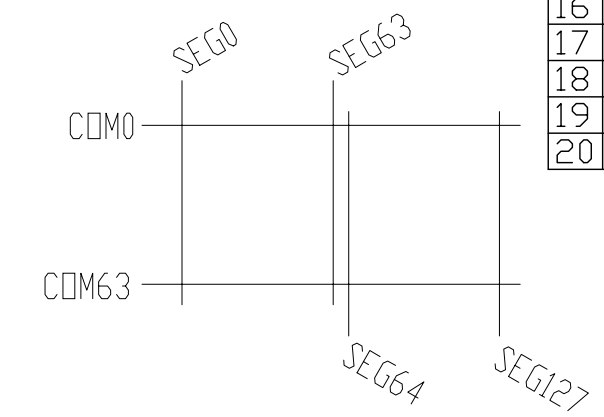


Terminal CN1	
No.	Pin Name
1	VSS
2	VDD
3	V0
4	RS
5	R/W
6	E
7	DB0
8	DB1
9	DB2
10	DB3
11	DB4
12	DB5
13	DB6
14	DB7
15	CS1
16	CS2
17	/RST
18	VDUT
19	A
20	K



- Note:
- *1. A VR(25k to 50k) must be connected externally for Contrast Control. Otherwise, external LCD contrast reference should be given to V0.
 - *2. LCD Display Type : STN-Gray, Positive, Transflective
 - *3. Viewing Direction : 6H
 - *4. Operating Voltage : 5V
 - *5. Backlight Color : YG
 - *6. Operating Temperature : -20°C ~ 70°C
 - *7. Storage Temperature : -30°C ~ 80°C

C		
B		
A	-Correct Typing Mistake	20-Aug-03
Rev	Note	Date
Dwg Title	LM12864LDC-1 Outline Dwg	
Dwg No.	MK-000195a-1-1	Date
Scale	3/2	25-Jul-03
Tol.	±0.5	
Unit	mm	
Paper Size	A3	
Approved	Checked	Drawn
		Li Shuai

TOPWAY